

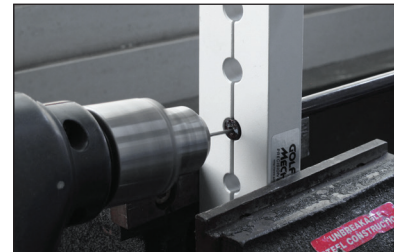
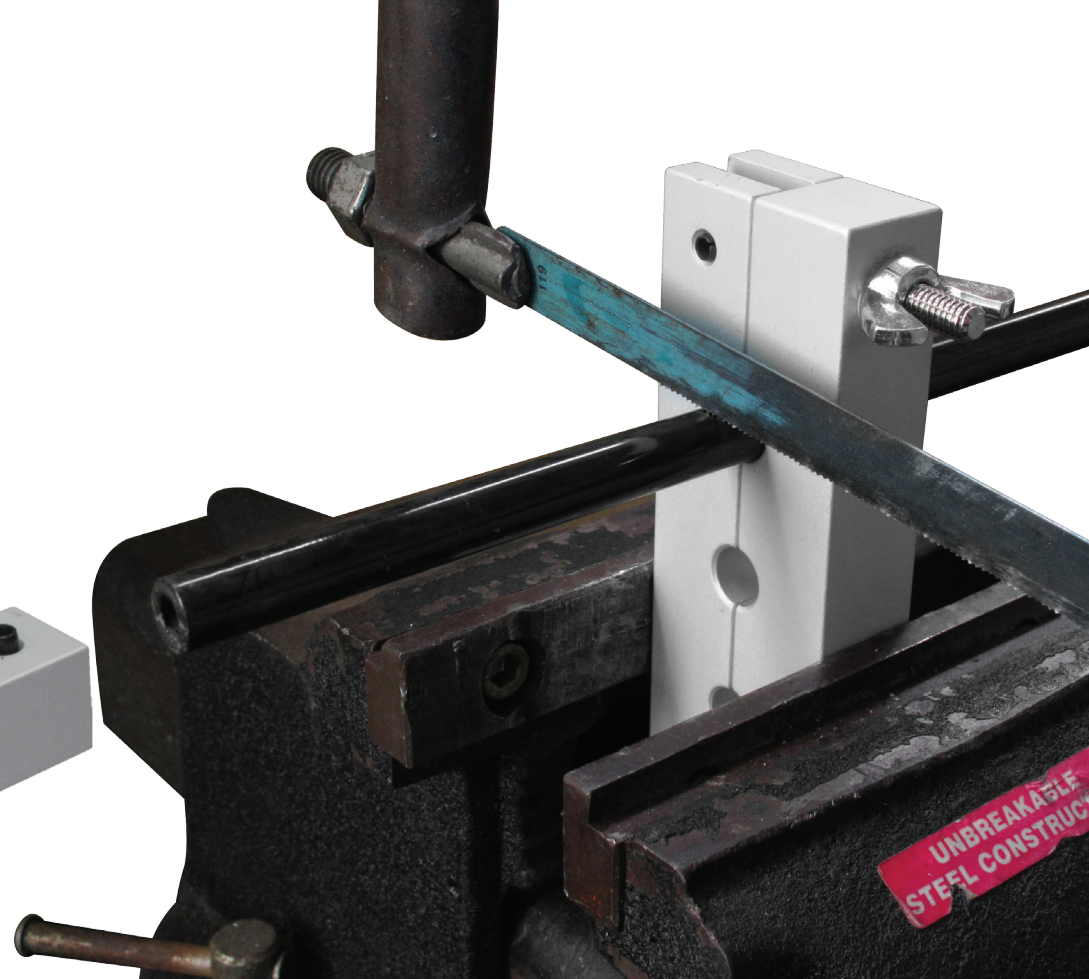
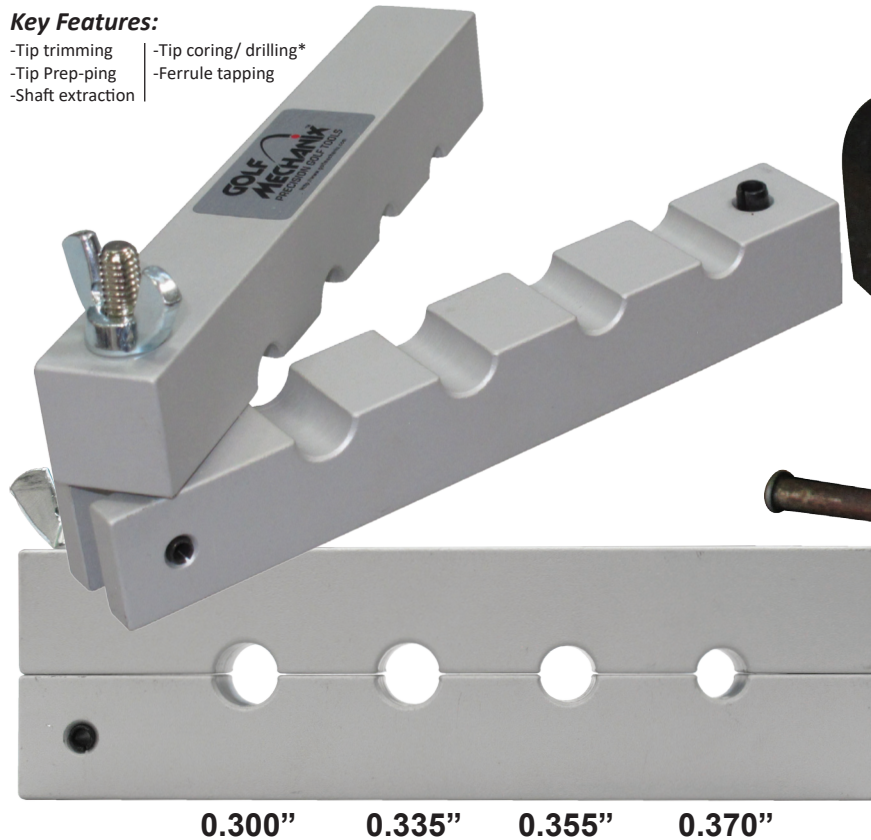


### 170500 Small Aluminium Shaft Clamp

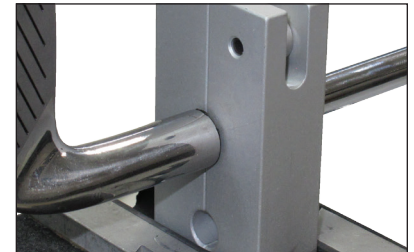
A heavy-duty, low profile shaft clamp specifically designed for shaft removal and coring out tip weights stack inside the shaft. Supporting the shaft tip while drilling prevents the tip from splitting open.. Assorted hole sizes fit standard tip shafts. Features a quick open-and-close hinge for added convenience.

#### Key Features:

- Tip trimming
- Tip coring/ drilling\*
- Tip Prep-ping
- Ferrule tapping
- Shaft extraction



▲Great for coring out hardened up epoxy prior to re-shafting.



▲Use it for doctoring heads and pulling out dry fitted shafts stuck inside the hosel.